

# Kinex

Anterior Cruciate Ligament

## ACL Button



  
**LASTINGLIFE**  
MEDICAL

  
**OSTEONIC**  
The Medical Explorer

# Overview

## ACL Button

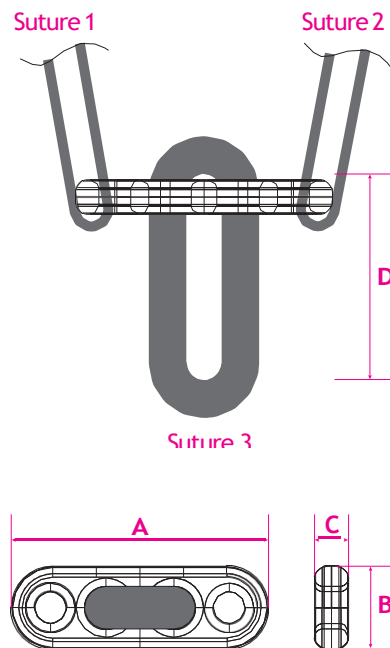
is the trusted choice for femoral fixation among surgeons who perform ACL reconstruction. Ideal for anatomic or traditional ACL reconstruction techniques

### I Raw Material

- | Button: Titanium alloy
- | Suture: UHMWPE(USP#5)
- | Loop: UHMWPE

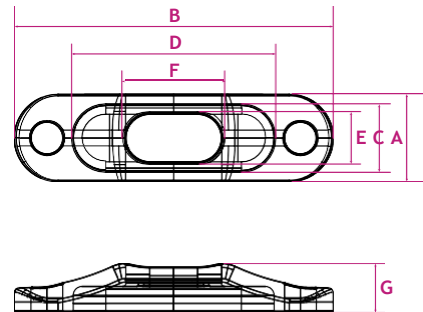
\*UHMWPE(Ultra High Molecular Weight Polyethylene)

## EndoFix



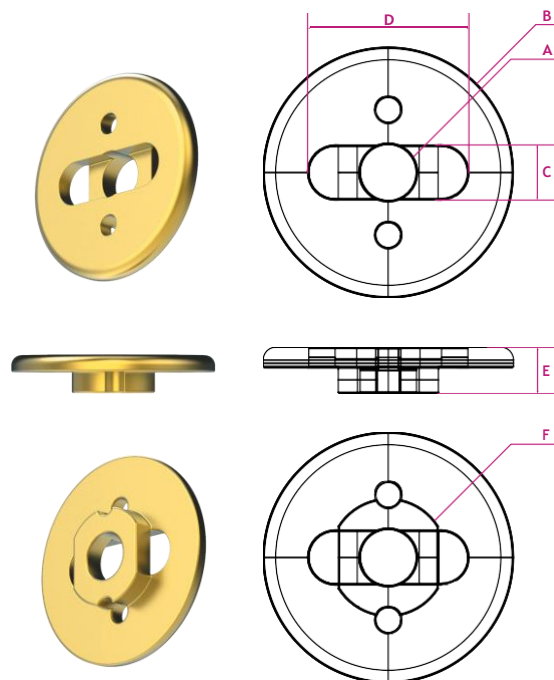
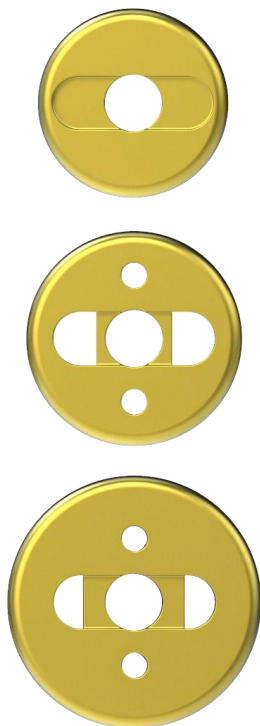
No.	Code	Button			Loop	Guide Suture	
		A	B	C		Suture 1	Suture 2
1	FBS-1615				15		
2	FBS-1620				20		
3	FBS-1625				25		
4	FBS-1630				30		
5	FBS-1635				35		
6	FBS-1640	12.1	3.9	1.6	40	White	White/Green
7	FBS-1645				45		
8	FBS-1650				50		
9	FBS-1655				55		
10	FBS-1660				60		

### EX Button(Bar Type)



No.	Code	Button						
		A	B	C	D	E	E	G
1	FTP-5520	5.5	20.0	4.1	12.6	3.0	6.0	3.0

### EX Button(Round Type)



No.	Code	Button					
		A	B	C	D	E	F
1	FTP-4515		Ø15			2.1	-
2	FTP-4517	Ø4.5	Ø17	4.2	12.7	3.6	Ø7.4
3	FTP-4520		Ø20			3.6	Ø9.4



**OSTEONIC Co., Ltd.**

1206Ho, 38, Digital-ro29-gil, Guro-gu, Seoul, Korea

Tel. +82 2 6902 8400

Fax. +82 2 6902 8401

e-mail. [sales@osteonic.com](mailto:sales@osteonic.com)

[www.osteonic.com](http://www.osteonic.com)